



Model OIM101 features a removable submount which holds an industry standard 1" x 0.25" or 6mm glass mirror substrate with a customer specified reflective coating.

A built in high precision optical sensor monitors mirror angle. The compact optical head is attached to a servo controller using a supplied 6 foot cable. The user inputs analog mirror command to the controller to steer the mirror.

FEATURES:

- Flexure suspension allows stiction free motion of the mirror with an infinite fatigue lifetime
- Built in optical sensor allows the user to monitor both axes of mirror motion
- Moving magnet design allows coils to be heat sunk to the mirror base structure
- New coil design eliminates coil overheating problems, no need to monitor coil temperature
- Uses industry standard 1" x 0.25" (or 1" x 6mm) glass mirrors
- Mirror coating to customer requirements
- Mirror mounted into sub-mount using low out-gassing RTV
- Additional sub-mount available for user installation of mirror
- Wave-front quality 1/10th wave p-v (depends on mirror substrate)
- Useable aperture 0.94"

Mirror Specifications

Specification	Typical	Units
Dynamic Performance		
Mirror Angular Range (mechanical)	+/- 1.5	degrees
Angular resolution	<2	urads
3dB Bandwidth (user adjustable, factory set for 550Hz)	> 850	Hz
Linearity	1%	% Full Scale
Step Response (1 mrad step)	<5	ms
Mirror Substrate		
Material	Fused Silica	
Mirror substrate size	1" x .25" or 25.4mm x 6 mm	
Coating	Protected Aluminum	
Reflectivity	>85% from 400 – 700nm	
Wavefront quality	$\lambda/10$ @ 633nm	waves
Clear Aperture	0.94	inches
Electrical		
Peak power	30	Watts
Mechanical		
Mirror head size	2.3 X 2.3 X 2.2	inches
Weight, no foot	8.8	oz
Weight with foot	12.2	oz
Controller size	2.0 X 4.0 X 6.1	inches
Weight	21	oz
Head to Controller Cable Weight	8.0	oz

Pricing

Complete mirror system (mirror head, controller, cables, and power supply)		
Includes: Fast Steering Mirror Head Protected aluminum or gold mirror substrate* Analog Servo Controller 6 foot cable FSM to Controller Table top power supply	OIM101	\$3900

* Contact Optics In Motion to obtain a price for other mirror coatings (protected silver, multilayer ...).

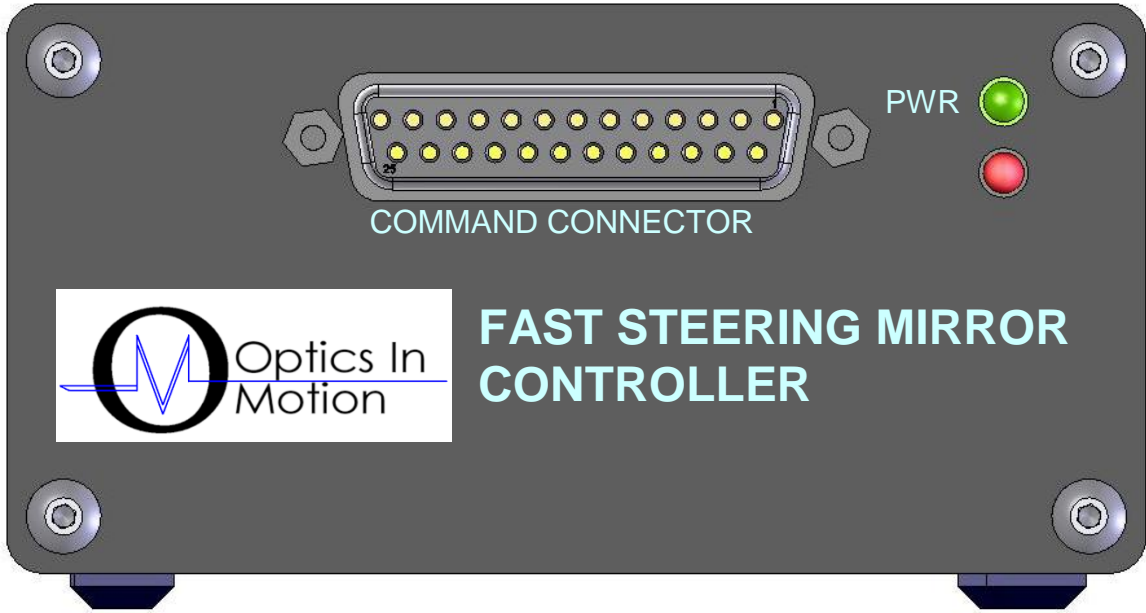


Figure 1: Controller Front View

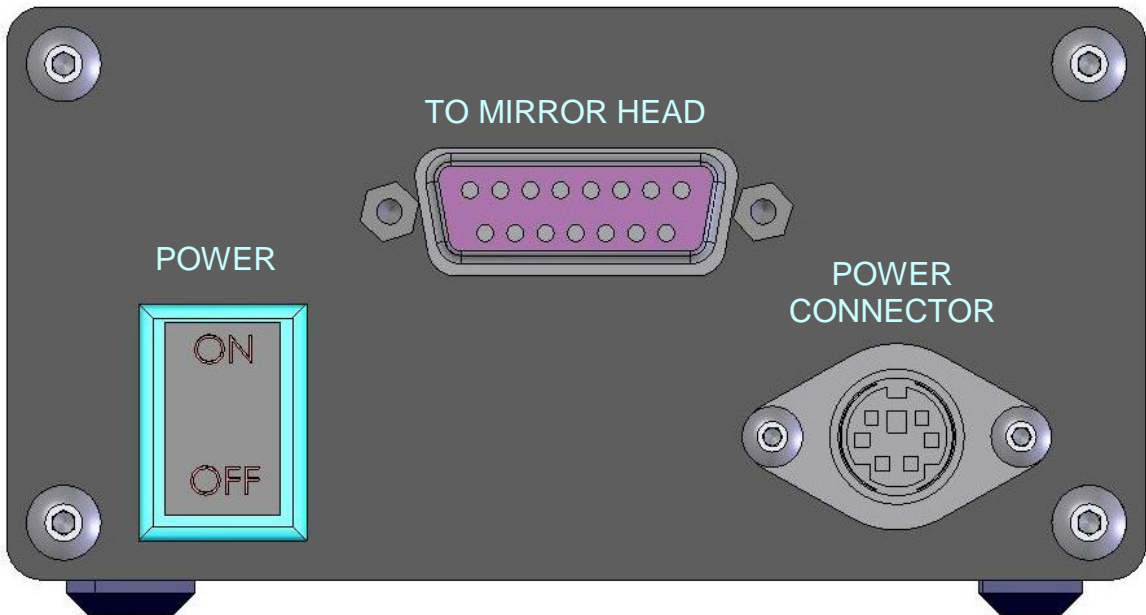
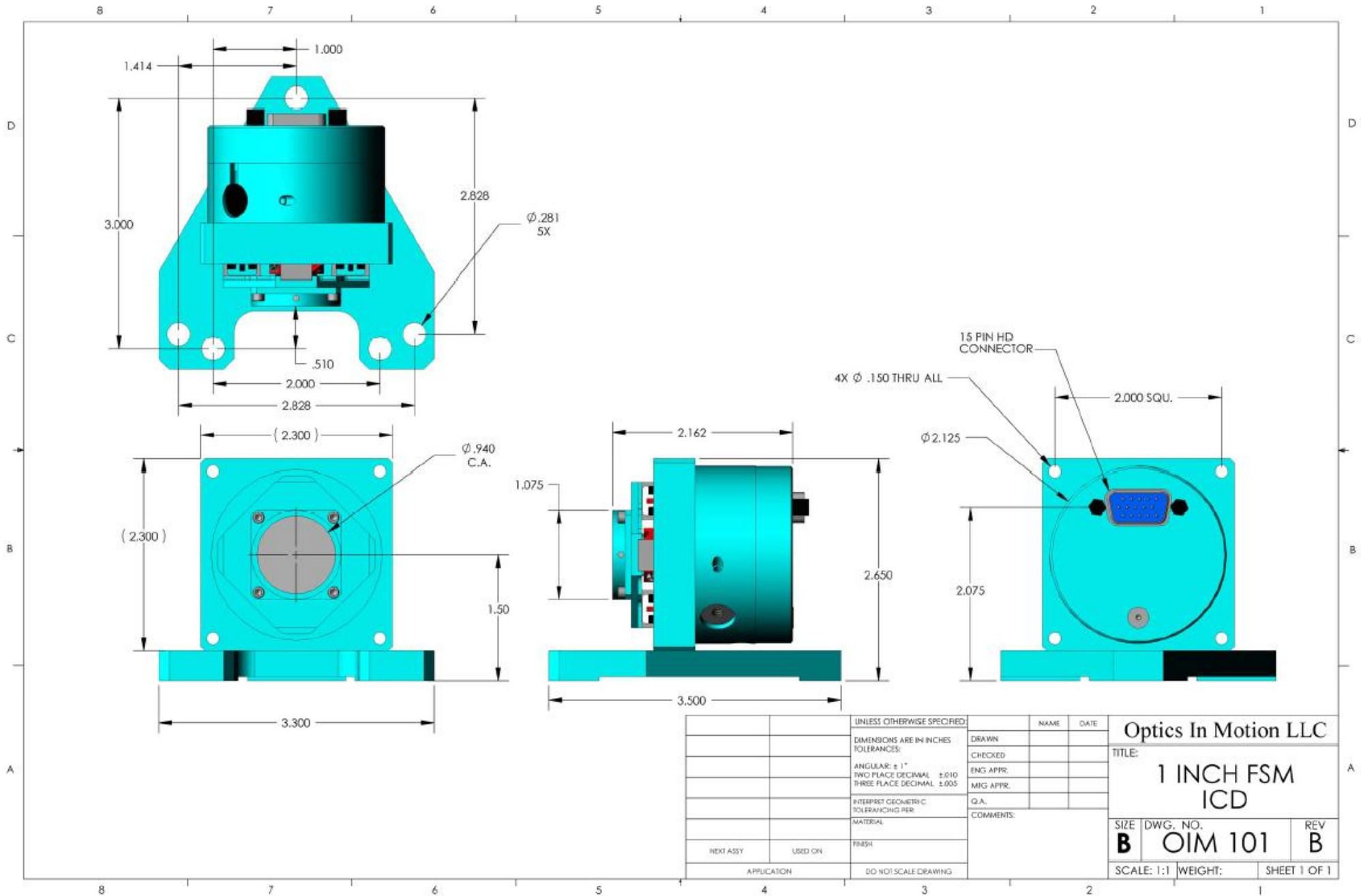
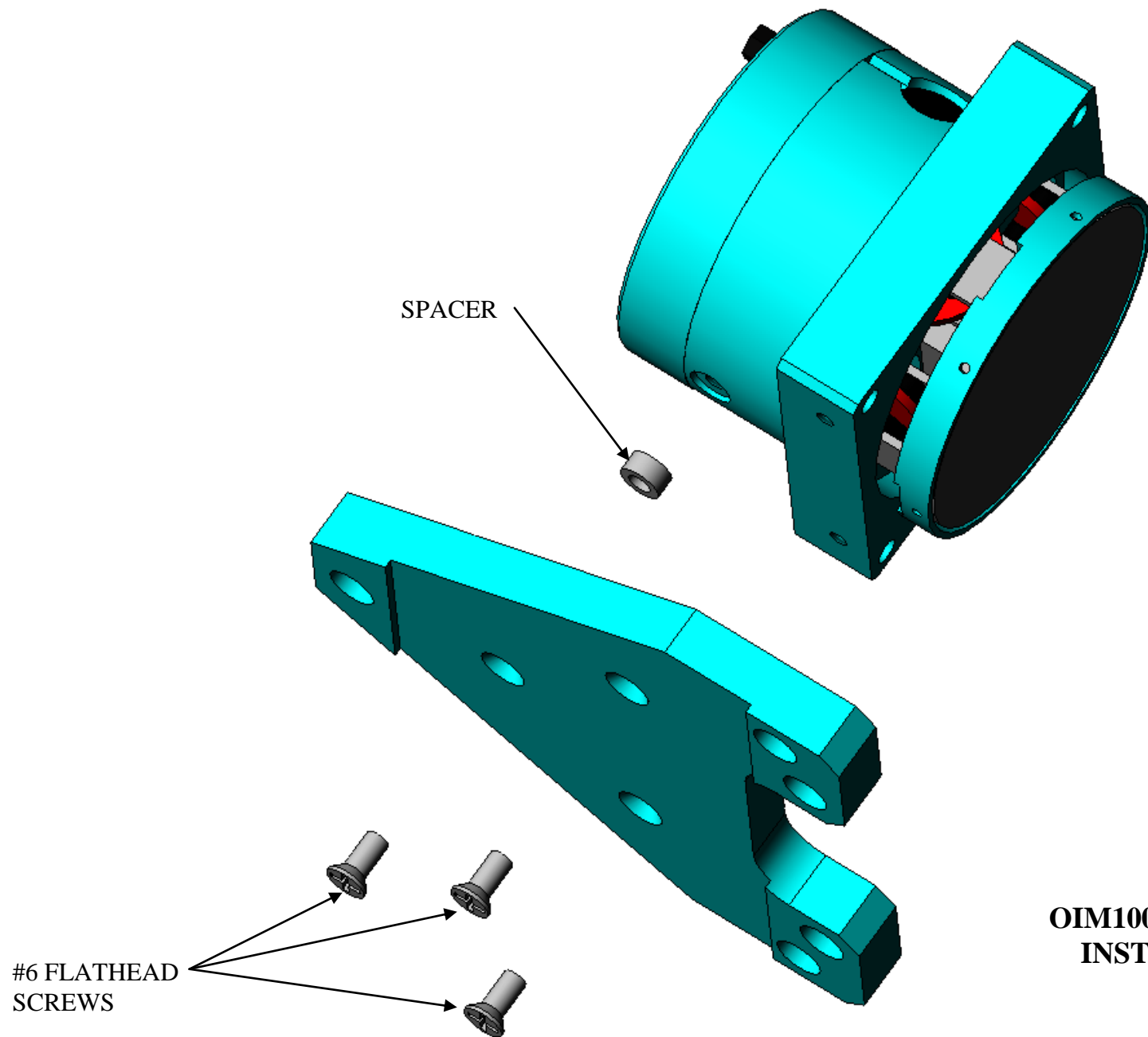


Figure 2: Controller Rear View



		UNLESS OTHERWISE SPECIFIED		NAME	DATE	Optics In Motion LLC	
		DIMENSIONS ARE IN INCHES		DRAWN		TITLE:	
		TOLERANCES:		CHECKED		1 INCH FSM ICD	
		ANGULAR: $\pm 1^\circ$		ENG APPR.		SIZE DWG. NO. REV	
		TWO PLACE DECIMAL $\pm .010$		MIG APPR.		B OIM 101 B	
		THREE PLACE DECIMAL $\pm .005$		Q.A.		SCALE: 1:1 WEIGHT: SHEET 1 OF 1	
		INTERPRET GEOMETRIC TOLERANCING PER		COMMENTS:			
		MATERIAL					
		FRESH					
NEXT ASSY	USED ON						
APPLICATION		DO NOT SCALE DRAWING					

Optics In Motion LLC, 4223 Rutgers Ave, Long Beach, CA 90808
 (562) 481-7103, E-Mail: sales@opticsinmotion.net



SPACER

#6 FLATHEAD
SCREWS

**OIM100 SERIES MIRROR, FOOT
INSTALLATION/REMOVAL**

Command Connector Wiring Table

25-Socket Sub-miniature D Connector

Pin Number	Signal Name	I/O Type	Description
1	X ERROR	Output	X summing junction error voltage output, difference between commanded and actual position. (referenced to ground)
2	INT/EXT SWITCH	Input	Normally low TTL input. High level switches the position feedback input from local to external. (used with input pins 10,11 and 17, 5)
3	X- COMMAND	Input	X mirror position command. Low side of differential command input. Range +/-10 Volts.
4	X+ COMMAND	Input	X mirror position command. High side of differential command input. Range +/-10 Volts.
5	X- EXTERNAL	Input	X external mirror position. Low side of differential position input (from external quad or similar position sensor)
6	GND	Output	Ground Reference
7	-15 VOLTS	Output	-15 VDC for external loads of less than 100ma.
8	RESERVED		
9	N/C		
10	Y+ EXTERNAL	Input	Y external mirror position. High side of differential position input (from external quad or similar position sensor)
11	Y- EXTERNAL	Input	Y external mirror position. Low side of differential position input (from external quad or similar position sensor)
12	Y- COMMAND	Input	Y mirror position command. Low side of differential command input. Range +/-10 Volts.
13	Y+ COMMAND	Input	Y mirror position command. High side of differential command input. Range +/-10 Volts.
14	X POSITION	Output	X mirror angular position readout from local position sensor. (referenced to ground)
15	+5 VOLTS	Output	5 VDC for external loads of less than 100ma.
16	GND	Output	Ground Reference
17	X+ EXTERNAL	Input	X external mirror position Low side of differential position input (from external quad or similar position sensor)
18	RESERVED		
19	+15 VOLTS	Output	+15 VDC for external loads of less than 100ma.
20	GND	Output	Ground Reference
21	RESERVED		
22	GND	Output	Ground Reference
23	Y POSITION	Output	Y mirror angular position readout from local position sensor. (referenced to ground)
24	Y ERROR	Output	Y summing junction error voltage output, difference between commanded and actual position. (referenced to ground)
25	RESERVED		