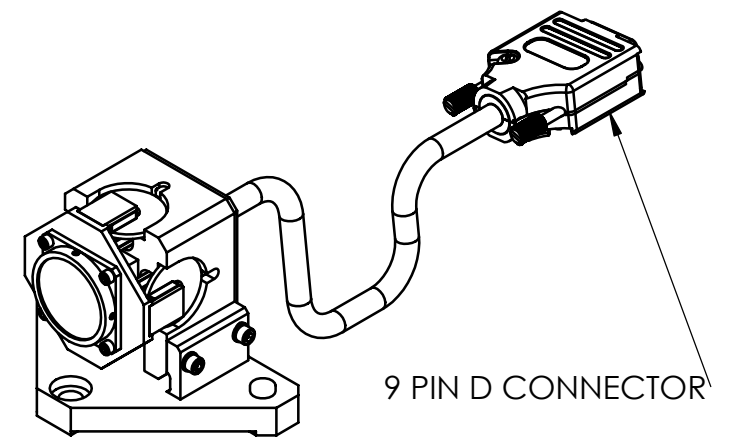
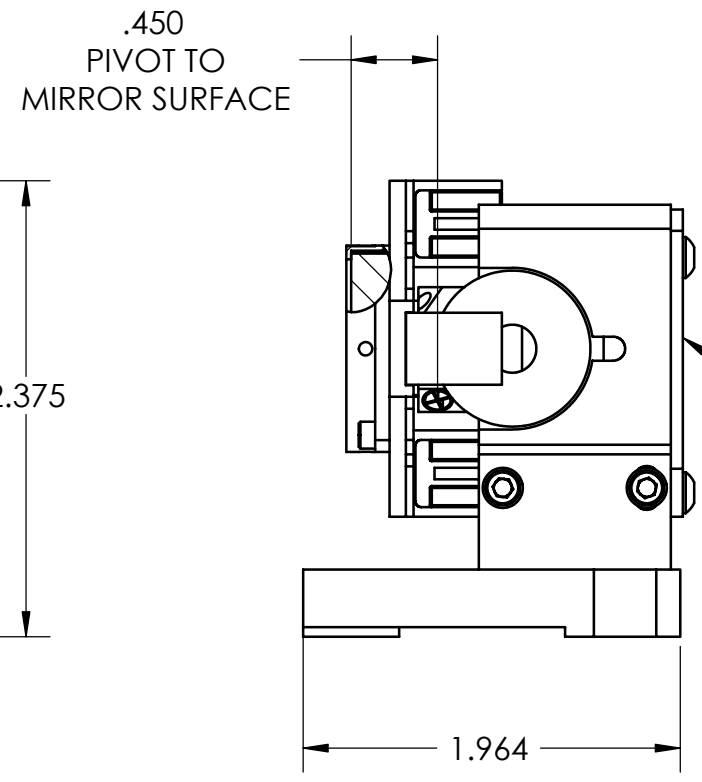
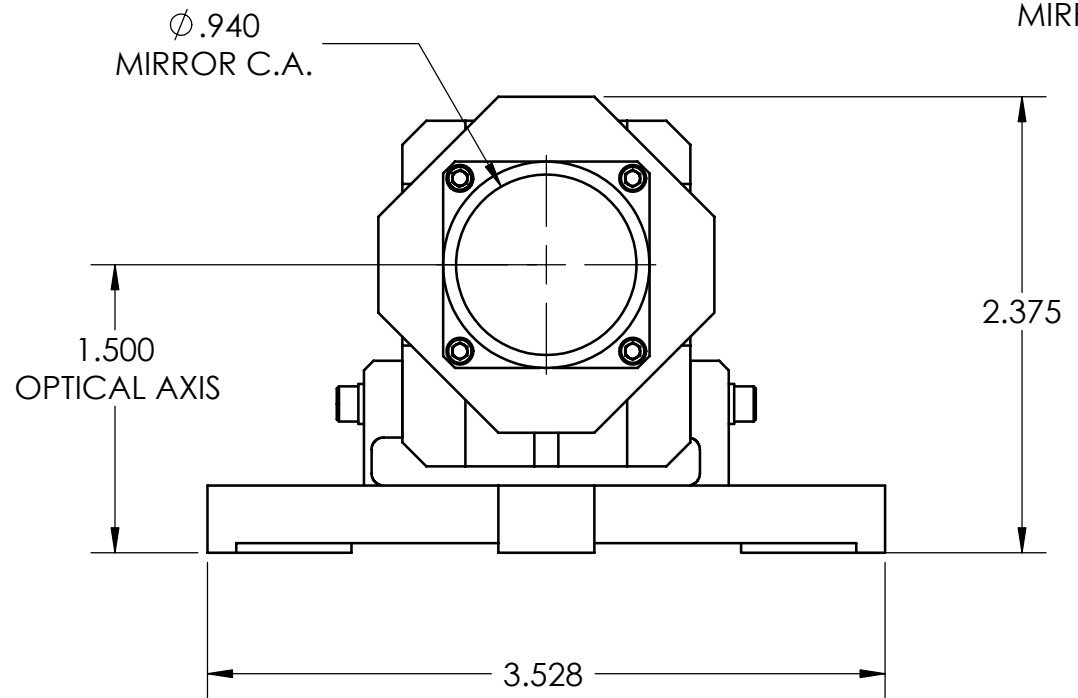
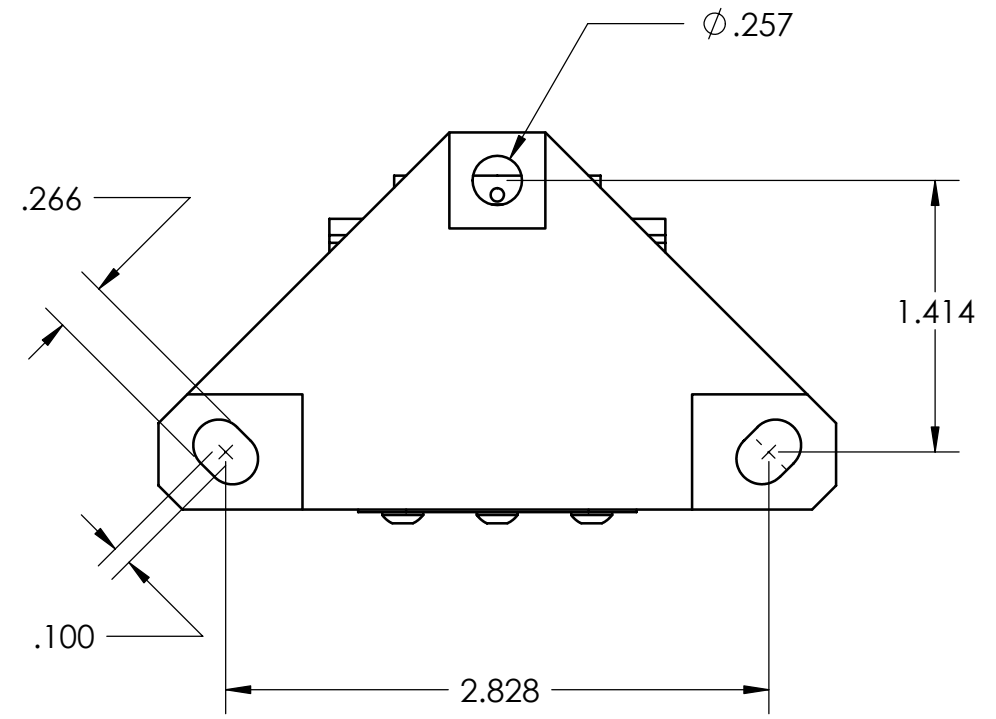
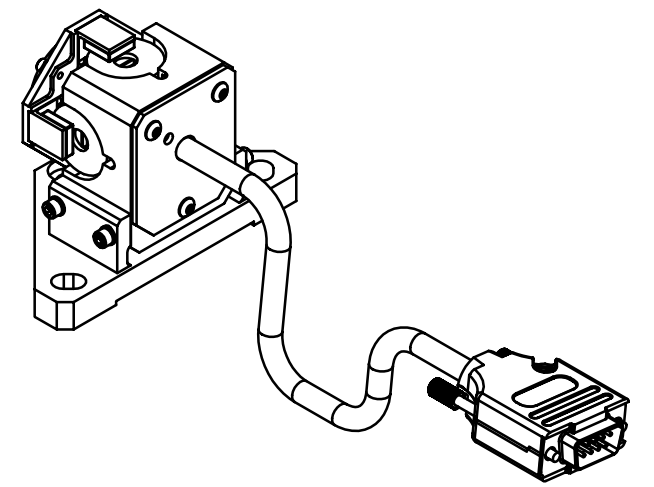


8 7 6 5 4 3 2 1

D
C
B
A



PIGTAIL CABLE
THIS SURFACE
~ 2 FEET LONG



PROPRIETARY AND CONFIDENTIAL
THE INFORMATION CONTAINED IN THIS DRAWING IS THE SOLE PROPERTY OF Optics In Motion LLC. ANY REPRODUCTION IN PART OR AS A WHOLE WITHOUT THE WRITTEN PERMISSION OF Optics In Motion LLC IS PROHIBITED.

		UNLESS OTHERWISE SPECIFIED:		NAME		DATE	
		DIMENSIONS ARE IN INCHES		DRAWN		D. Henderson	
		TOLERANCES:		CHECKED			
		FRACTIONAL $\pm .1$ INCH		ENG APPR.			
		ANGULAR: ± 1 DEG		MFG APPR.			
		TWO PLACE DECIMAL ± 0.010		Q.A.			
		THREE PLACE DECIMAL ± 0.005		COMMENTS:			
		INTERPRET GEOMETRIC TOLERANCING PER:				TITLE:	
		MATERIAL				BEAM STABILIZER	
NEXT ASSY		USED ON				PIGTAIL ICD	
APPLICATION		DO NOT SCALE DRAWING				SIZE	
						DWG. NO.	
						REV	
						SCALE: 1:2	
						WEIGHT:	
						SHEET 1 OF 1	
						OIMBS001	

8 7 6 5 4 3 2 1